

# DWR DISPENSER

DWR Self-Adhesive Label Dispenser



**DWR 100 and DWR 200 are a range of semi-automatic dispensers for self-adhesive labels on rolls. Designed for industrial environments, they are made entirely of steel, simple to use and versatile enough for all types of labels commonly in use. Available in versions for label widths up to 100 mm or 200 mm.**



The reel holder, which adapts to all internal reel cores, accepts reels of up to 300mm in diameter, offering an impressive run time. In the DWR 100 F and DWR 200 versions, the labels are read by two microprocessor-controlled self-learning sensors which can automatically identify the difference in transparency between the label and the paper liner, thus presenting the label almost fully peeled off on the peeler bar. When the label is removed, the next one is dispensed automatically. The control board also allows motor rotation to be stopped when the reel finishes, and paper breaks can also be accompanied by an acoustic warning signal. Power supply: 230 V, or 115 V on request, no separate PSU required

The DWR 100 M and DWR 200 M versions are available for use with transparent labels; they feature an electromechanical sensor which detects the difference in thickness between the label and the silicone liner paper with great precision



An optional accessory for all models is a presettable electronic counter which counts the number of labels applied or else counts down from a preset number before stopping the label supply.



The battery-operated version makes it possible to work for around 5 hours with no mains power supply, depending on the label size and dispensing frequency.

The battery-operated dispenser does not require a separate battery charger since this is integrated in the control board-the unit will recharge automatically if left plugged in.



DWR LC is the entry-level model of the DWR range, and can be used only with non-transparent self-adhesive labels on rolls.

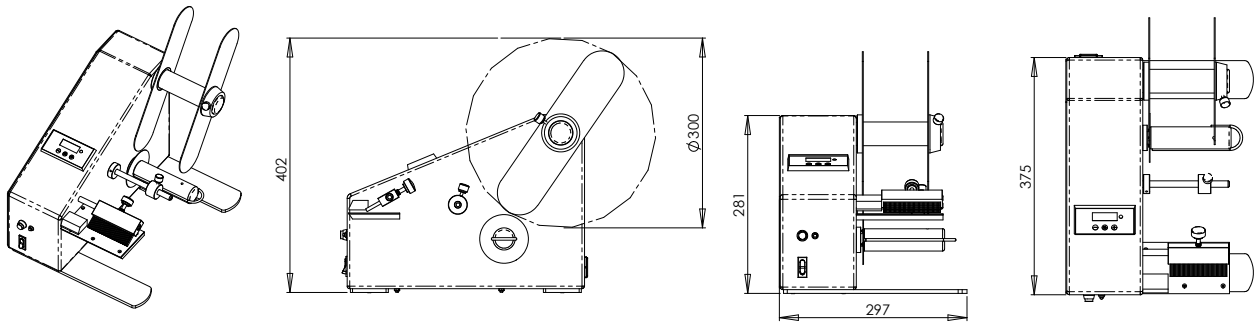
Low-cost, extremely compact and lightweight, it is suitable for non-demanding jobs.

The label is read by two microprocessor-controlled self-learning sensors which automatically identify the difference in transparency between the label and the paper liner.

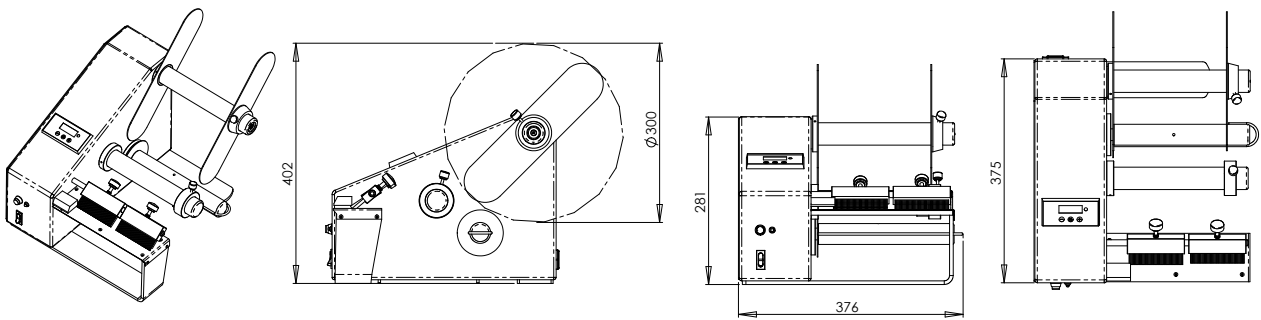


Technical specifications	DWR 100	DWR 200	DWR LC
Label width	15-100 mm	15-200 mm	15-100 mm
Label length	15-600 mm	15-600 mm	15 150 mm
Speed	10-15 metres/minute	10-15 metres/minute	5-10 metres/minute
Reel diameter	300 mm	300 mm	150 mm
Mandrel diameter	38-110 mm	38-110 mm	40-76 mm
Power supply	230 Vac - 50 Hz	230 Vac - 50 Hz	24 Vcc
Power draw	30 W	30 W	30 W
Dimensions	297 x 410 x 400 (H)	376 x 410 x 400 (H)	173 x 233 x 280 (H)
Weight	9,7 Kg	11 Kg	4 Kg

## DWR DISPENSER - 100 FC



## DWR DISPENSER - 200 FC



## DWR DISPENSER LC

